

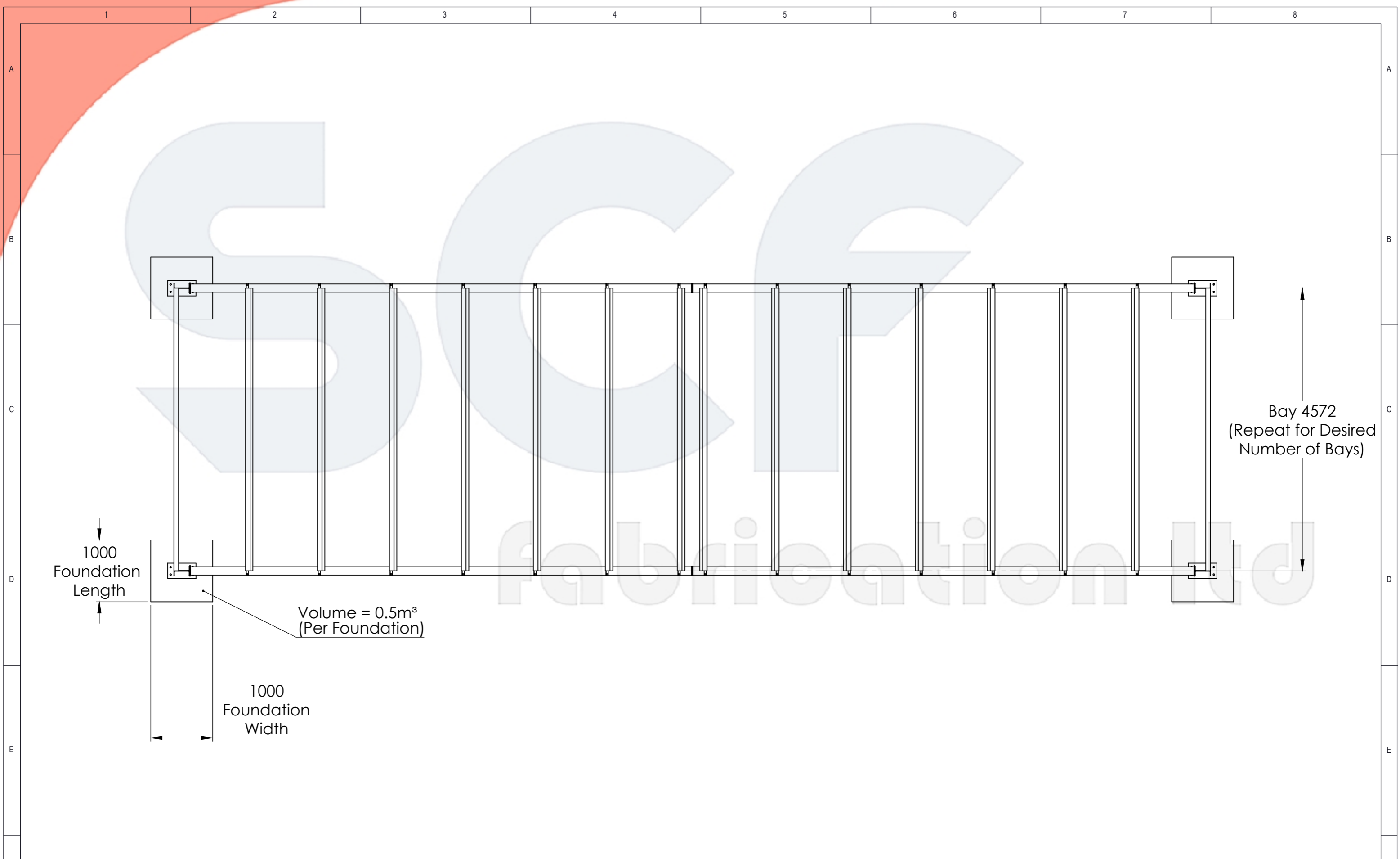
UNLESS OTHERWISE SPECIFIED:  
 DIMENSIONS ARE IN MILLIMETERS  
 MATERIAL: MILD STEEL  
 SURFACE FINISH: CLEAN AND DEBURRED  
 TOLERANCES:  
 LINEAR: ±1.0mm  
 ANGULAR: ±1.0° DEGREES

SCF FABRICATION LTD  
 BROMPTON | DULVERTON | SOMERSET  
 TA22 9NZ | +44 (0) 1398 371347  
 www.scf-fabrication.com

FIRST ANGLE PROJECTION		
DRAWN	BY	DATE
CHECKED	SC	07FEB19
APPROVED	SC	07FEB19

TITLE		
<b>15 55 12 - Site Drawing</b>		
DRAWN BY	REVISION	NOT TO SCALE
damienfieldhouse@gmail.com	1	
© SCF FABRICATION LTD 2019		SHEET 1 OF 4

REVISIONS					
REV.	DESCRIPTION	DRAWN	CHECKED	DATE	APPROVED
1	FIRST ISSUE	DJF	SC	07FEB19	SC



Volume = 0.5m<sup>3</sup>  
(Per Foundation)

1000  
Foundation  
Length

1000  
Foundation  
Width

Bay 4572  
(Repeat for Desired  
Number of Bays)



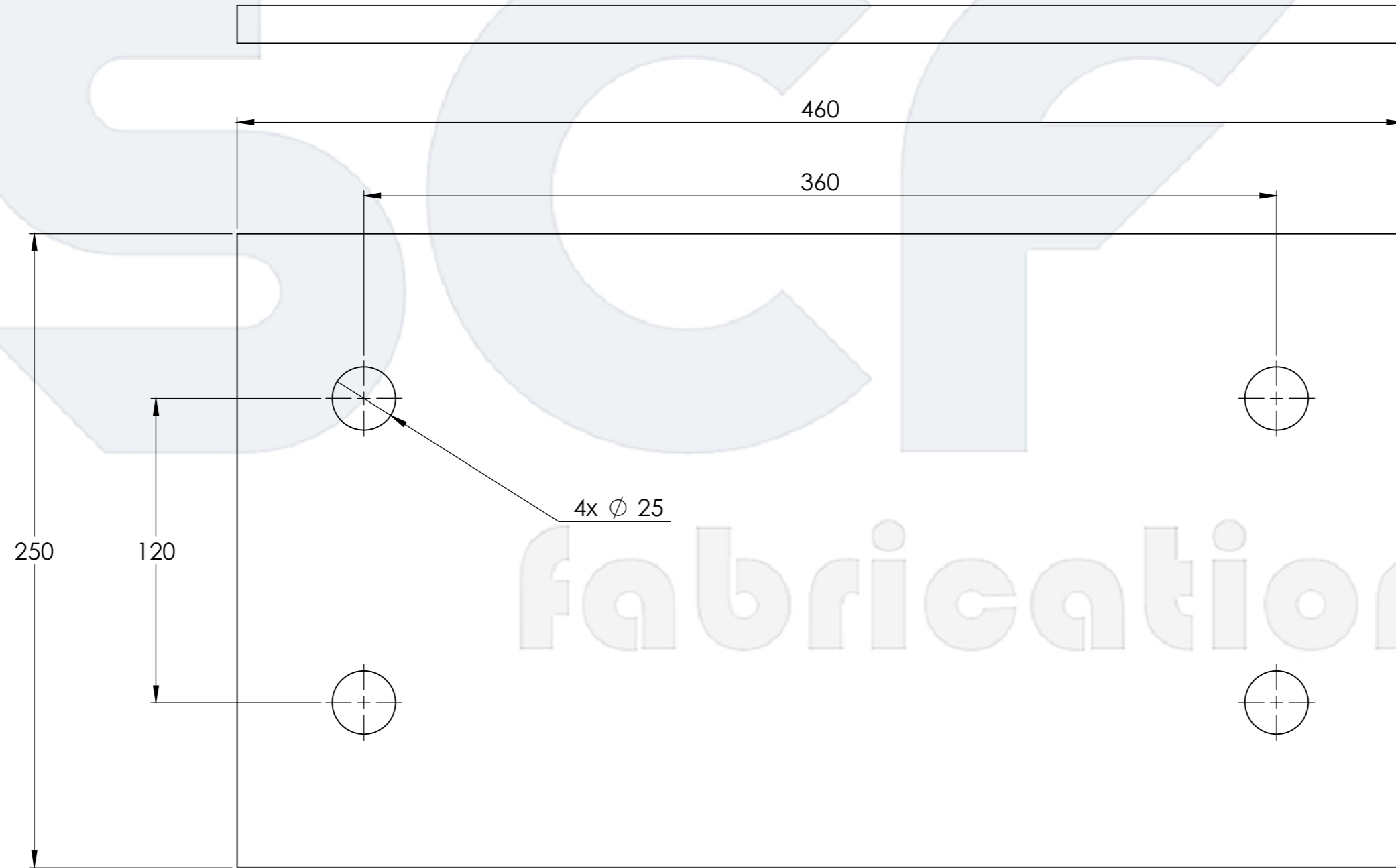
**UNLESS OTHERWISE SPECIFIED:**  
DIMENSIONS ARE IN MILLIMETERS  
MATERIAL: MILD STEEL  
SURFACE FINISH: CLEAN AND DEBURRED  
TOLERANCES:  
LINEAR: ±1.0mm  
ANGULAR: ±1.0° DEGREES

SCF FABRICATION LTD  
BROMPTON | DULVERTON | SOMERSET  
TA22 9NZ | +44 (0) 1398 371347  
www.scf-fabrication.com

FIRST ANGLE PROJECTION		
DRAWN	BY DJF	DATE 07FEB19
CHECKED	SC	07FEB19
APPROVED	SC	07FEB19

TITLE <b>15 55 12 - Site Drawing</b>		
DRAWN BY damienfieldhouse@gmail.com	REVISION 1	NOT TO SCALE
© SCF FABRICATION LTD 2019		SHEET 2 OF 4

# Base Plate



UNLESS OTHERWISE SPECIFIED:  
 DIMENSIONS ARE IN MILLIMETERS  
 MATERIAL: MILD STEEL  
 SURFACE FINISH: CLEAN AND DEBURRED  
 TOLERANCES:  
 LINEAR: ±1.0mm  
 ANGULAR: ±1.0° DEGREES

SCF FABRICATION LTD  
 BROMPTON | DULVERTON | SOMERSET  
 TA22 9NZ | +44 (0) 1398 371347  
 www.scf-fabrication.com

FIRST ANGLE PROJECTION



	BY	DATE
DRAWN	DJF	07FEB19
CHECKED	SC	07FEB19
APPROVED	SC	07FEB19

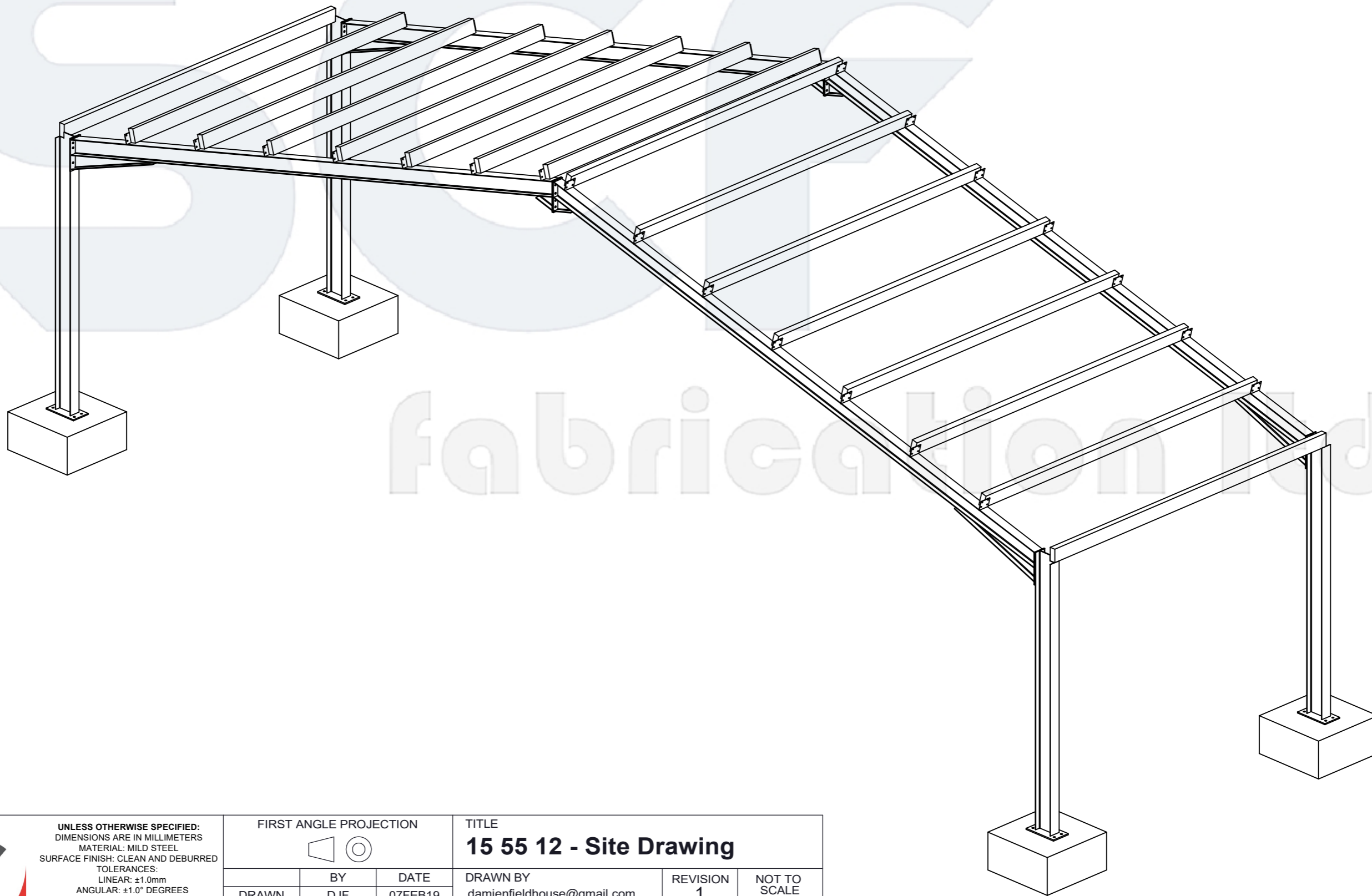
TITLE

**15 55 12 - Site Drawing**

DRAWN BY	REVISION	NOT TO SCALE
damienfieldhouse@gmail.com	1	

© SCF FABRICATION LTD 2019

SHEET 3 OF 4



fabrication ltd



**UNLESS OTHERWISE SPECIFIED:**  
 DIMENSIONS ARE IN MILLIMETERS  
 MATERIAL: MILD STEEL  
 SURFACE FINISH: CLEAN AND DEBURRED  
 TOLERANCES:  
 LINEAR: ±1.0mm  
 ANGULAR: ±1.0° DEGREES

SCF FABRICATION LTD  
 BROMPTON | DULVERTON | SOMERSET  
 TA22 9NZ | +44 (0) 1398 371347  
 www.scf-fabrication.com

FIRST ANGLE PROJECTION



	BY	DATE
DRAWN	DJF	07FEB19
CHECKED	SC	07FEB19
APPROVED	SC	07FEB19

TITLE

**15 55 12 - Site Drawing**

DRAWN BY	REVISION	NOT TO SCALE
damienfieldhouse@gmail.com	1	

© SCF FABRICATION LTD 2019

SHEET 4 OF 4